

3.11"  
This panel visible when folded

3.11"  
This panel visible when folded

3.11"

## Alarm Attachment Bracket 8269 Application Instructions



The 8269 Alarm Attachment Bracket is suitable for bed and chair/wheelchair mounting.

### TO MOUNT THE 8269 ALARM ATTACHMENT BRACKET:

1. Choose location on headboards or footboard where there is an opening and the strap can be attached so that the patient cannot reach or tamper with the alarm or connections.
2. Buckle strap onto bed (Fig. 1) and tighten strap securely.
3. Slide alarm onto bracket from top down until it is firmly in place (Fig. 2). Make sure alarm indicator lights are in clear view of staff.
4. To remove alarm, gently push release lever IN while sliding alarm up and out (Fig. 3).

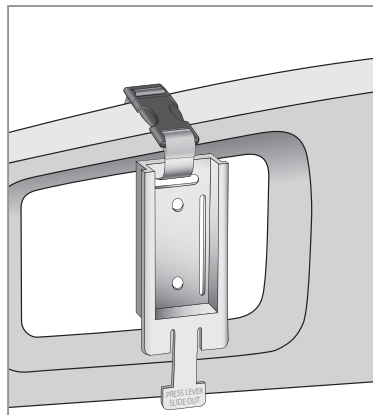


Fig. 1

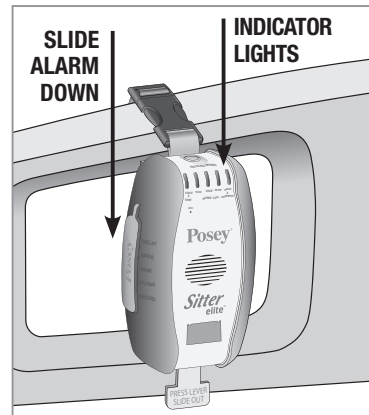


Fig. 2

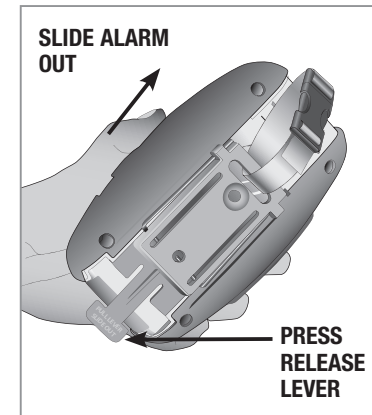


Fig. 3

TIDI Products, LLC • 570 Enterprise Drive, Neenah, WI 54956 USA  
Phone: 1.800.521.1314 • International: +1.920.751.4036 • [www.tidiproducts.com](http://www.tidiproducts.com)



© 2024 TIDI Products, LLC. All rights reserved. Posey is a registered trademark of TIDI Products, LLC.

M7001 REV B 03-20-2024

Printer: please note dashed fold lines. The upper left and upper middle sections should be visible when document is fully folded.  
Folded size will be ~3.11 x 3.375